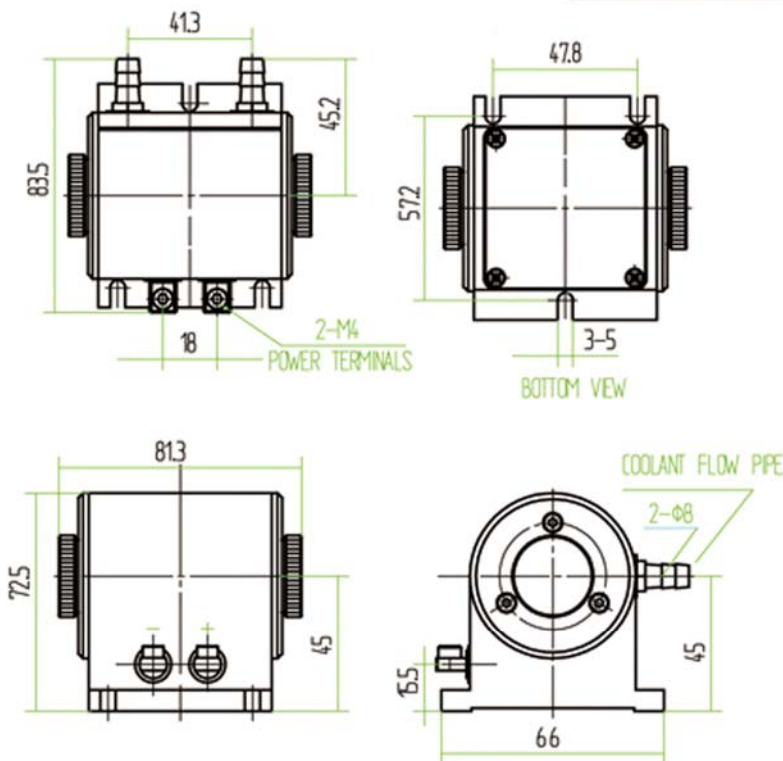


# olaS-SP35/50



## Main module characteristics:

Parameter	Symbol	Values		Unit
		typ.		
Emission wavelength	$\lambda$	1064		nm
Module type		SP-1064-35	SP-1064-50	
Nd:YAG rod size	D	$\varnothing 2 \times 63$	$\varnothing 3 \times 63$	mm
Output power at operating point (CW mode)	P	>35	>50	W
Efficiency	$\eta$	>25%	>30%	%
Threshold current	$I_t$	11	11	A
Operating current	$I_o$	35	35	A
Operating voltage	$V_o$	<12	<12	V
Coolant temperature	$T_{op}$	25	25	$^{\circ}\text{C}$
Coolant water required		Distilled water		
Coolant flow	$\partial V / \partial t$	7	7	l/min
Storage temperature	$T_{stg}$	5-55		$^{\circ}\text{C}$



# olaS-SP75/100

## Main module characteristics:

Parameter	Symbol	Values		Unit
		typ.		
Emission wavelength	$\lambda$	1064		nm
Module type		SP-1064-75	SP-1064-100	
Nd:YAG rod size	D	$\varnothing 3$	$\varnothing 3$	mm
Output power at operating point(CW mode)	P	>75	>100	W
Efficiency	$\eta$	>30%	>30%	%
Threshold current	$I_t$	10	10	A
Operating current	$I_o$	35	35	A
Operating voltage	$V_o$	<18	<24	V
Coolant temperature	$T_{op}$	25	25	$^{\circ}\text{C}$
Coolant water required		Distilled water		
Coolant flow	$\partial V / \partial t$	8	9	l/min
Storage temperature	$T_{stg}$	5-55		$^{\circ}\text{C}$

